

# ttPRINT Inline thermal transfer printer



Print head unit



Control unit

- Print speed up to 800 mm/s
- Print area: continuous mode 53 / 107 / 128 x 3000 mm  
intermittent mode 53 / 107 / 128 x max. 75 mm
- Resolution 300 dpi
- Print memory 16 MB
- Memory card – Compact Flash 128, 256, 512 or 1024 MB



... the leading manufacturer of printing, coding and marking systems

# ttPRINT Inline thermal transfer printer



Operated via: Control unit (standard)



Touch panel (optional)



or ttGRAPHIC software (optional)

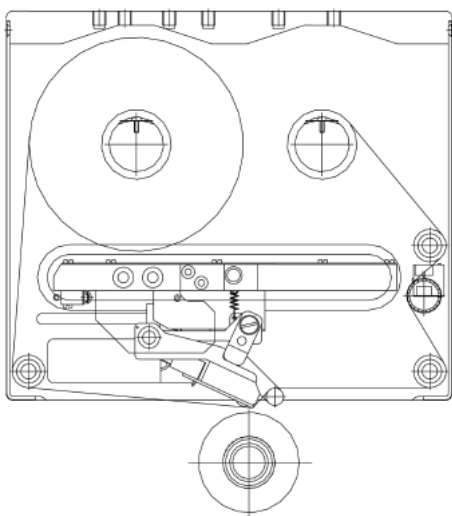
## Continuous and intermittent inline thermal transfer printer

The continuous and intermittent ttPRINT is a direct print module (in one print head unit) with high resolution for packaging and labelling machines. The ribbon cartridge is easy to change and available in different print widths.

The easy integration of the ttPRINT is simplified by the separation of print head unit and control unit as well as both the right and left versions.

Up to four print head units can be operated simultaneously via the touch panel.

The ttPRINT can be operated easily through the control unit, the intuitional touch panel or via a personal computer.



### Standard equipment

- Wear-free transfer ribbon transport system; Standard: transfer ribbon InkSide OUT option: InkSide IN
- Cassette system
- Ribbon savings
- Left or right version
- Variable update on the fly
- 2-line display
- Compact Flash card drive
- Date / time
- External I/O
- Download ConfigTool (Freeware)
- Download RemoteConsole (Freeware)

### Options

- Touch Panel 8,4", 640 x 480 Pixel
- CF cards 128 / 256 / 512 / 1024 MB
- Mounting frame
- Encoder
- Windows printer driver
- Creation software ttGRAPHIC
- Connection to SAP

### Technical data

Built-in-fonts:	Helvetica Bold, Helvetica Roman, Swiss Light, Baskerville, Brush Script, Monospace, 6 Pixel Fonts and 6 Proportional Fonts
Barcodes	
1D-Codes:	EAN 8, EAN 13, EAN 128, EAN ADD ON, UPC-A, UPC-E, Code 39, Code 39 ext., Code 93, Code 128A, Code 128B, Code 2/5 interleaved, ITF 14, ITF 16, CODABAR, Pharmacode, PZN-Code, Identcode
2D-Codes:	PDF417, MAXICODE, DataMatrix, CODABLOCK F
Composite Codes:	RSS, RSS-14 Truncated, RSS-14 Stacked, RSS-14 Stacked omnidirectional, RSS Limited, RSS Expanded Stacked
Interfaces:	<ul style="list-style-type: none"> <li>• Serial: RS 232 C, 1200...115200 Baud</li> <li>• Parallel: Centronics</li> <li>• USB: 1.1</li> <li>• Ethernet / LAN interne 10/100 Base-T</li> </ul>
Air supply:	min. 6 bars dry and oilfree, pressure controller incl.
Transfer ribbon:	max. length approx. 900 m (ttPRINT 53) max. length approx. 600 m (ttPRINT 107) max. length approx. 450 m (ttPRINT 128)
Dimensions (B x H x D):	
Print head unit:	without mounting frame: 204 x 180 x 235 mm (ttPRINT 53), 204 x 180 x 290 mm (ttPRINT 107) 204 x 180 x 310 mm (ttPRINT 128) with mounting frame: depending on the machine type
Control unit:	240 x 125 x 332 mm
Touch Panel:	240 x 192 x 65 mm
Weight:	Print mechanics 9 kg – depending on the machine type Mounting frame 230 mm, ca. 9 kg – depending on the machine type Control unit incl. cable 5.5 kg
Electrical connections:	Voltage supply 110 V - 230 V / 50 - 60 Hz Power consumption max. 360 VA
Work environment:	Temperature 5 - 45° C, relative humidity max. 80 %

Further models on request.  
Subject to technical modification.